

## 24W/12V Desktop Power Adapter (GWS-AP24-12)



### Features



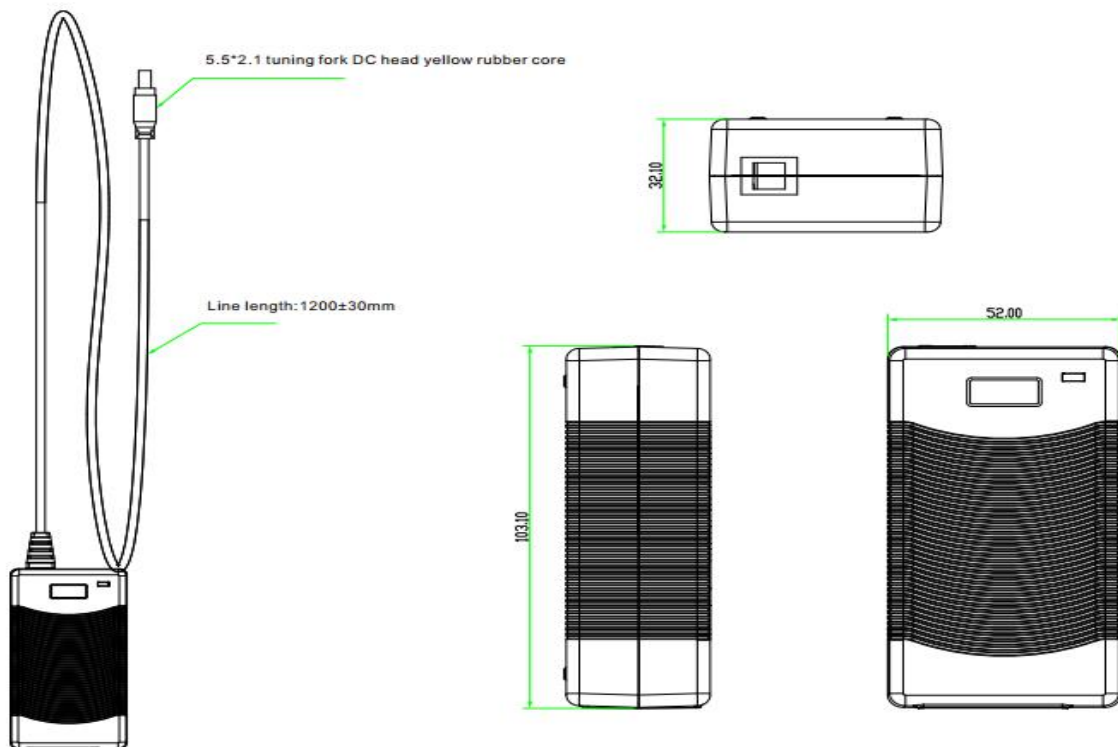
- Power Input: AC90~264V
- Support production for short circuit/over current/over voltage
- Wide operating ambient temp (-20°C~65°C)
- 100% full load aging test
- High efficiency, long life time and high reliability
- No fan, completely tranquil work
- 3 years warranty

### Technical Specification

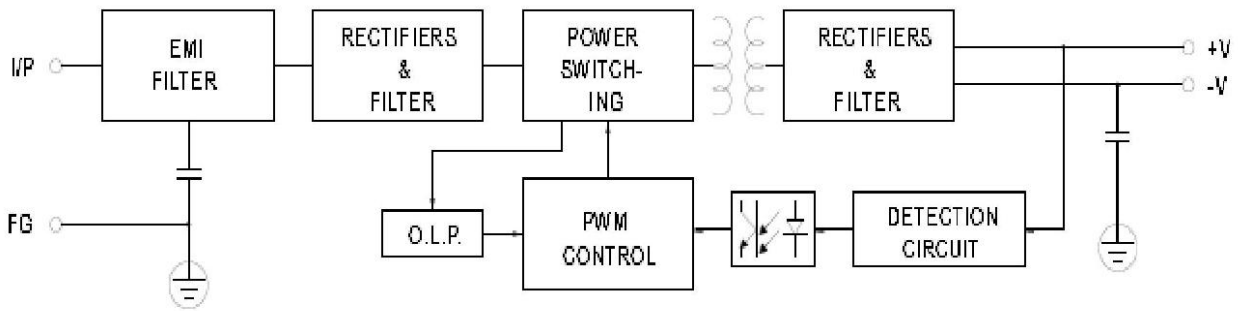
<b>Model</b>		GWS-AP24-12	
<b>Output</b>	Group Of Output		1
	DC Voltage		12DC
	Default Output Voltage		0-2A
	Ripple Noise	0<Ta≤55°C	≤50mVp-p
		-15≤Ta≤0°C	≤100mVp-p
	Stabilized Voltage Precision		±1%
	Line Regulation		±1%
	Load Regulation		±1%
	Temperature Coefficient		±0.03%/°C
	Output Start Time		≤3.0S (120Vac input, Full load); ≤2.0S (220Vac input, Full load)
Output Hold Time		≥10mS(120Vac input, Full load); ≥20mS(220Vac input, Full load)	
Voltage Overshoot		<5.0%	
<b>Input</b>	Input Voltage Range		90VAC~264VAC
	Input Rated Voltage Range		100VAC~240VAC
	Frequency Range		47Hz~63Hz
	Efficiency		86%
	Input Current		<0.2A
	Inrush Starting Current		<40A@300Vac Cold start;
Leakage Current		input to output less than 0.25mA	
<b>Protection</b>	Output	Over Power	28.8~36W Swing machine (Testing method: Increase the output current until enabling the protection. Protection mode:Swing machine, Self-recovery after over-power released.)
		Over Voltage	15-16VSwing machine (Short circuit the Pin1-2 of U8, swing machine. Output recovery to normal after removing the short circuit) Note: Do not use external voltage.
		Over Current	2.4~3A Swing machine (Testing method: Increase the output current until enabling the protection. Protection mode:Swing machine, Self-recovery after over-current released.)
		Short Circuit	It can be short circuited for a long time and automatically recover after the short circuit is eliminated.

<b>Operation Environment</b>	Operation Temperature And Humidity	-20°C~65°C; 20%~90%RH No condensing
	Storage Temperature And Humidity	-40°C~85°C; 5%~95%RH No condensing
<b>Safety And EMC Standard</b>	Security Standard	GB4943/EN60950
	Dielectric Strength	Input—Output:3KVac/10mA; Input--Case:1.5KVac/10mA; Output---Case:0.5KVDC/10mA Time for each testing is 1min.
	Insulation Resistance	Input-Output: 100M ohms; Input-Case: 100M ohms; Output-Case: 100M ohms;
	Electromagnetic Interference	EN55022 Class A
	Harmonic Current	IEC61000-3-2 class A equipment requirements
	Electromagnetic interference Immunity	EN61000-4-2,4,5,6,8,11 ENV50204, class A heavy industry standard
<b>Others</b>	Design MTBF	100,000Hrs AT 25°C, MIL-217 Method 2 Components Stress Method
	Product size(L*W*H)	103*52*33mm
<b>Notes</b>	If the specification is not specified, all specifications and parameters shall be measured at rated input, rated load and 25 C ambient temperature. Ripple noise test method: the use of a 12# twisted pair, while the terminal to parallel capacitance of 0.1uF and 10uF, measured at the scope of the oscilloscope 20MHz bandwidth. The power supply will be installed on the final equipment as a component, and the final equipment will still have to meet the EMC condition.	

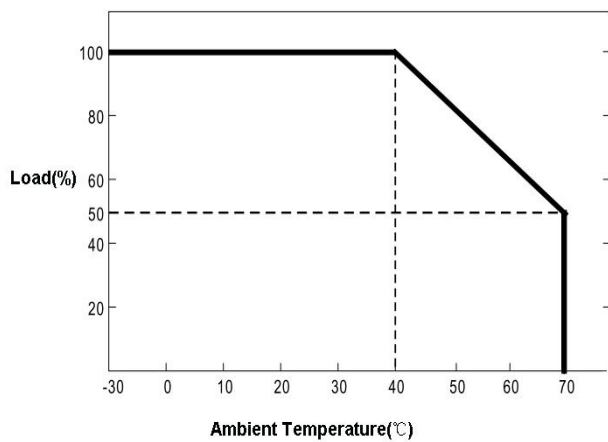
**Dimension**



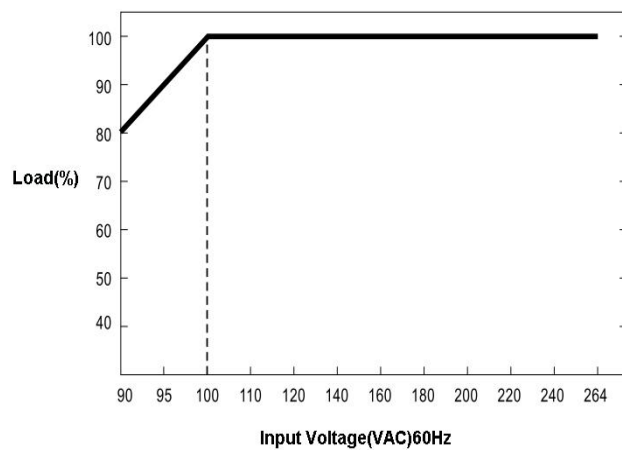
**Block Diagram**



**Derating Curve**



**Static Characteristic Curve**



**Contact Us**



Tel: 0086-755-33376606  
 Fax: 0086-755-33376608  
 Email: [onv@onv.com.cn](mailto:onv@onv.com.cn)  
 Website: [www.gwsdz.com/](http://www.gwsdz.com/)  
 Zip: 518000

Headquarter Address: Room 1003, Block D, Terra Building, Futian district, Shenzhen, China  
 Factory Address: The 4-6th Floor, A building, SenYuTai (Science&Technology) Park, HuaNing Road, Dalang sub-district, Longhua district, Shenzhen, China