

240W/48V Industrial DIN Rail Power Supply (GWS-DP240-24)

240W Industrial Power Supply



- Power Input: AC 90~264V
- Support production for short circuit/over current/over voltage
- Wide operation temperature range: -40°C~70°C
- 100% full load aging test
- High efficiency, long life time and high reliability
- Meet EMC Standard

Application

- Industrial Control System
- Semiconductor fabrication equipment
- Factory automation
- Electro-mechanical apparatus

Description

GWS-DP240-24 is one economical slim 240W industrial DIN Rail power supply series, adapting to be installed on TS-35/7.5 or TS-35/15 mounting rails. The entire series adopts the full range AC input from 90VAC to 264VAC and conforms to EN61000-3-2, the norm the European Union regulates for harmonic current.

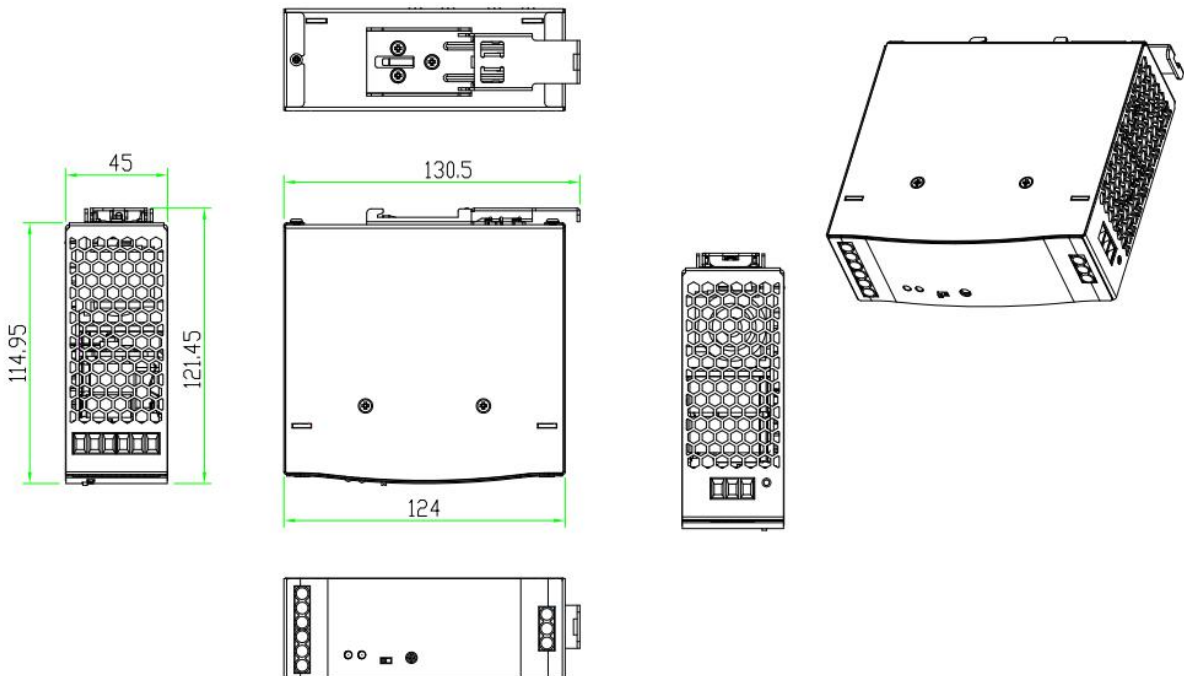
GWS-DP240-24 is designed with a metal shell, which is easy to increase the heat dissipation of the machine. The working efficiency is as high as 90%. The product can work in -40°C to 70°C ambient temperature under the condition of air circulation. It has a constant current mode overload protection function and is suitable for various Inductive or capacitive load applications, complete protection functions and compliance with industrial control equipment certifications, making GWS-DP240-24 a very competitive power solution for industrial applications.

Technical Specification

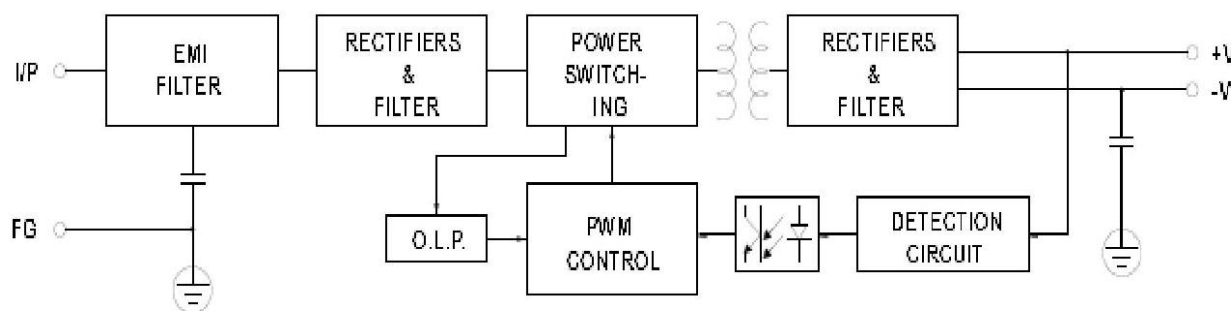
Model		GWS-DP240-24	
Output	Group Of Output	1	
	DC Voltage	24VDC	
	Default Output Voltage	0-10A	
	Ripple Noise	$0 < T_a \leq 55^{\circ}\text{C}$	$\leq 50\text{mVp-p}$
		$-15 \leq T_a \leq 0^{\circ}\text{C}$	$\leq 100\text{mVp-p}$
	Stabilized Voltage Precision	$\pm 1\%$	
	Line Regulation	$\pm 1\%$	
	Load Regulation	$\pm 1\%$	
	Temperature Coefficient	$\pm 0.03\%/^{\circ}\text{C}$	
	Output Start Time	$\leq 3.0\text{S}$ (120Vac input, Full load); $\leq 2.0\text{S}$ (220Vac input, Full load)	
	Output Hold Time	$\geq 10\text{mS}$ (120Vac input, Full load); $\geq 20\text{mS}$ (220Vac input, Full load)	
	Voltage Overshoot	$< 5.0\%$	
Input	Input Voltage Range	90VAC~264VAC	
	Input Rated Voltage Range	100VAC~240VAC	
	Frequency Range	47Hz~63Hz	
	Efficiency	91%	
	Input Current	$< 2.2\text{A}$	
	Inrush Starting Current	$< 40\text{A}@300\text{Vac}$ Cold start;	
	Leakage Current	input to output less than 0.25mA	
Protection	Output	Over Power	288~360W Swing machine (Testing method: Increase the output current until enabling the protection. Protection mode:Swing machine, Self-recovery after over-power released.)
		Over Voltage	28-29V Swing machine (Short circuit the Pin1-2 of U8, swing machine. Output recovery to normal after removing the short circuit) Note: Do not use external voltage.
		Over Current	12~15A Swing machine (Testing method: Increase the output current until enabling the protection. Protection mode:Swing machine, Self-recovery after over-current released.)
		Short Circuit	It can be short circuited for a long time and automatically recover after the short circuit is eliminated.
Operation Environment	Operation Temperature And Humidity	$-40^{\circ}\text{C} \sim 70^{\circ}\text{C}$; 20%~90%RH No condensing	
	Storage Temperature And Humidity	$-40^{\circ}\text{C} \sim 85^{\circ}\text{C}$; 5%~95%RH No condensing	
Safety And	Security Standard	GB4943/EN60950	
	Dielectric Strength	Input—Output:3KVac/10mA; Input--Case:1.5KVac/10mA; Output---Case:0.5KVDC/10mA	

EMC Standard		Time for each testing is 1min.
	Insulation Resistance	Input-Output: 100M ohms; Input-Case: 100M ohms; Output-Case: 100M ohms;
	Electromagnetic Interference	EN55022 Class A
	Harmonic Current	IEC61000-3-2 class A equipment requirements
	Electromagnetic interference Immunity	EN61000-4-2,4,5,6,8,11 ENV50204, class A heavy industry standard
Others	Design MTBF	100,000Hrs AT 25°C, MIL-217 Method 2 Components Stress Method
	Dimensions (W*H*D)	130.5*124*45mm
Notes	<p>If the specification is not specified, all specifications and parameters shall be measured at rated input, rated load and 25 C ambient temperature.</p> <p>Ripple noise test method: the use of a 12# twisted pair, while the terminal to parallel capacitance of 0.1uF and 10uF, measured at the scope of the oscilloscope 20MHz bandwidth.</p> <p>The power supply will be installed on the final equipment as a component, and the final equipment will still have to meet the EMC condition.</p>	

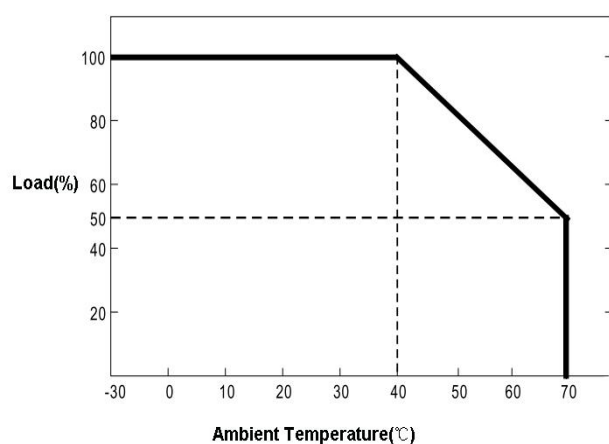
Dimension



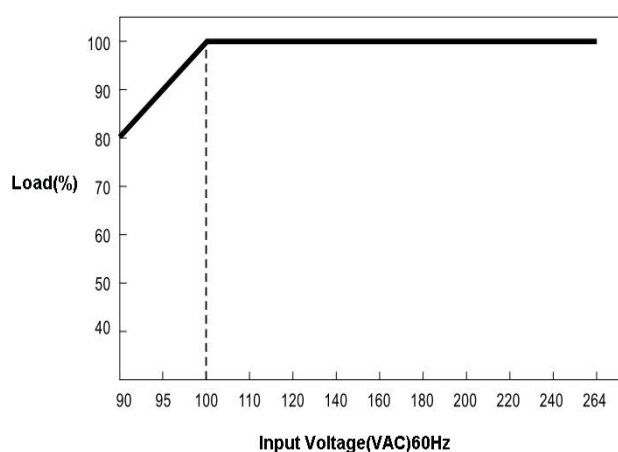
Block Diagram



Derating Curve



Static Characteristic Curve



Contact Us



Tel: 0086-755-33376606

Fax: 0086-755-33376608

Email: onv@onv.com.cn

Website: www.gwsdz.com/

Zip: 518000

Headquarter Address: Room 1003, Block D, Terra Building, Futian district, Shenzhen, China

Factory Address: The 4-6th Floor, A building, SenYuTai (Science&Technology) Park, HuaNing Road, Dalang sub-district, Longhua district, Shenzhen, China