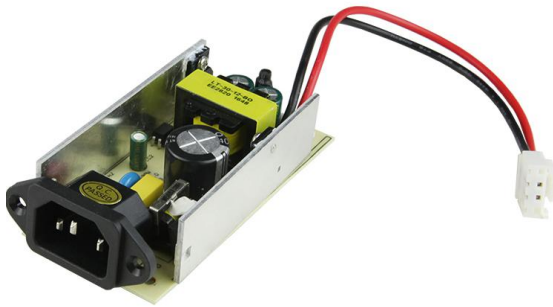


30W/12V Open Frame Power Supply (GWS-BP30-12)



Features



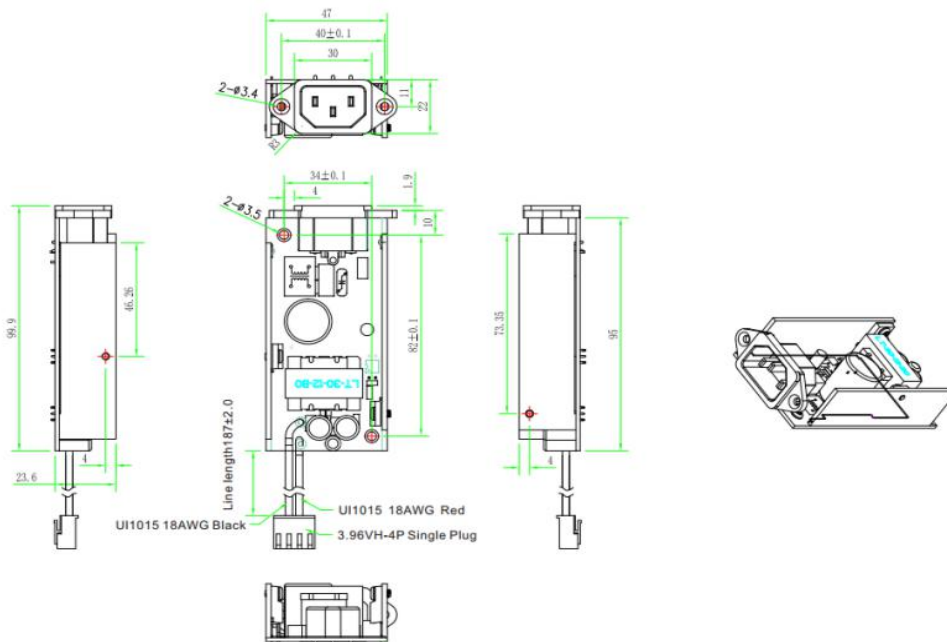
- Power Input: AC90~264V
- Support protection for short circuit/over current/over voltage
- Wide operating ambient temp (-20°C~65°C)
- 100% full load aging test
- High efficiency, long life time and high reliability
- No fan, completely tranquil work
- 3 years warranty

Technical Specification

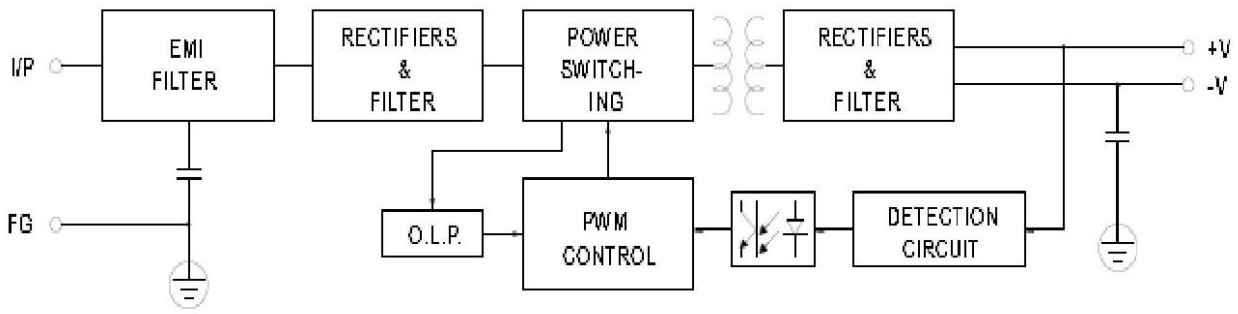
Model		GWS-BP30-12	
Output	Group Of Output	1	
	DC Voltage	12VDC	
	Default Output Voltage	0-6A	
	Ripple Noise	0<Ta≤55°C	≤50mVp-p
		-15≤Ta≤0°C	≤100mVp-p
	Stabilized Voltage Precision	±1%	
	Line Regulation	±1%	
	Load Regulation	±2%	
	Temperature Coefficient	±0.03%/°C	
	Output Start Time	≤3.0S (120Vac input, Full load); ≤2.0S (220Vac input, Full load)	
Output Hold Time	≥10mS(120Vac input, Full load); ≥20mS(220Vac input, Full load)		
Voltage Overshoot	<5.0%		
Input	Input Voltage Range	90VAC~264VAC	
	Input Rated Voltage Range	100VAC~240VAC	
	Frequency Range	47Hz~63Hz	
	Efficiency	85%	
	Input Current	<0.38A	
	Inrush Starting Current	<40A@300Vac Cold start;	
	Leakage Current	input to output less than 0.25mA	
Protection	Output	Over Power	36~45W Swing machine (Testing method: Increase the output current until enabling the protection. Protection mode:Swing machine, Self-recovery after over-power released.)
		Over Voltage	15-16V Swing machine (Short circuit the Pin1-2 of U8, swing machine. Output recovery to normal after removing the short circuit) Note: Do not use external voltage.
		Over Current	3~3.75A Swing machine (Testing method: Increase the output current

		until enabling the protection. Protection mode:Swing machine, Self-recovery after over-current released.)
	Short Circuit	It can be short circuited for a long time and automatically recover after the short circuit is eliminated.
Operation Environment	Operation Temperature And Humidity	-20°C~65°C; 20%~90%RH No condensing
	Storage Temperature And Humidity	-40°C~85°C; 5%~95%RH No condensing
Safety And EMC Standard	Security Standard	GB4943/EN60950
	Dielectric Strength	Input—Output:3KVac/10mA; Input--Case:1.5KVac/10mA; Output---Case:0.5KVDC/10mA Time for each testing is 1min.
	Insulation Resistance	Input-Output: 100M ohms; Input-Case: 100M ohms; Output-Case: 100M ohms;
	Electromagnetic Interference	EN55022 Class A
	Harmonic Current	IEC61000-3-2 class A equipment requirements
	Electromagnetic interference Immunity	EN61000-4-2,4,5,6,8,11 ENV50204, class A heavy industry standard
Others	Design MTBF	100,000Hrs AT 25°C, MIL-217 Method 2 Components Stress Method
	Dimension	100*47*26mm
Notes	If the specification is not specified, all specifications and parameters shall be measured at rated input, rated load and 25 C ambient temperature. Ripple noise test method: the use of a 12# twisted pair, while the terminal to parallel capacitance of 0.1uF and 10uF, measured at the scope of the oscilloscope 20MHz bandwidth. The power supply will be installed on the final equipment as a component, and the final equipment will still have to meet the EMC condition.	

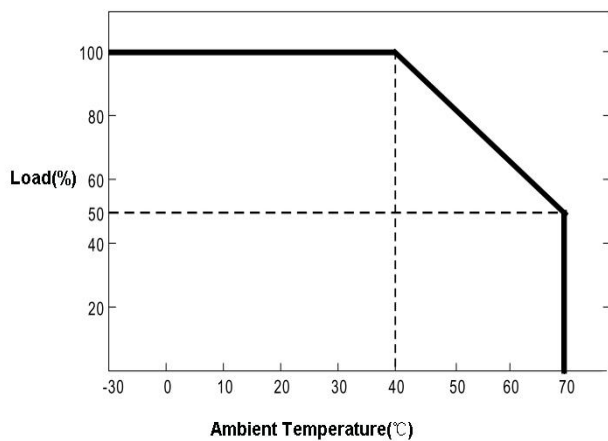
Dimension



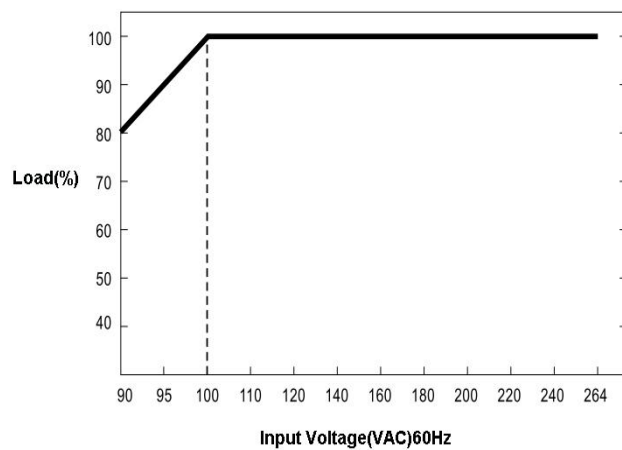
Block Diagram



Derating Curve



Static Characteristic Curve



Contact Us



Tel: 0086-755-33376606

Fax: 0086-755-33376608

Email: onv@onv.com.cn

Website: www.gwsdz.com/

Zip: 518000

Headquarter Address: Room 1003, Block D, Terra Building, Futian district, Shenzhen, China

Factory Address: The 4-6th Floor, A building, SenYuTai (Science&Technology) Park, HuaNing Road, Dalang sub-district, Longhua district, Shenzhen, China